



**SIG SAUER**

# JULIET-MICRO™

COMPACT MAGNIFIER

## OWNER'S MANUAL

Scan the QR code to visit sigsauer.com where you will find additional information about SIG SAUER products, SIG SAUER Academy and the SIG Experience Center, Special Programs, and additional support.



## INTRODUCTION

The SIG SAUER® JULIET-MICRO line of Compact Magnifiers provides red dot and holographic sight users extended range capabilities in an ultra-small, lightweight package. When mounted behind a SIG SAUER ROMEO Red Dot sight the flip-to-side JULIET-MICRO Magnifier allows users to quickly change from close to long distance engagements. JULIET-MICRO Magnifiers are covered by the SIG SAUER Infinite Guarantee™.

## CONTENTS:

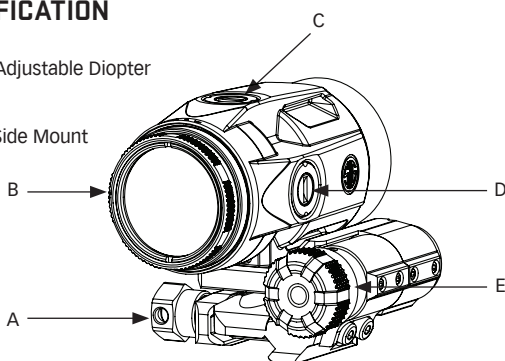
- JULIET-MICRO Compact Magnifier
- 1.41" Absolute Co-Witness Push-Button, Flip-to-Side Mount (installed)
- 1.54" Sight Height Spacer Kit
- 1.63" Lower 1/3rd Co-Witness Spacer Kit
- Hex Tool
- Bikini Lens Cover
- Lens Cloth

## KEY FEATURES:

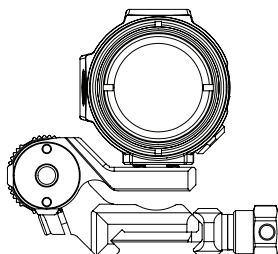
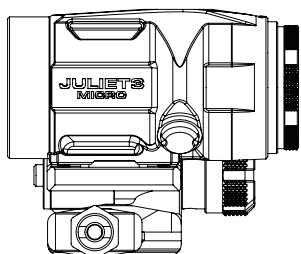
- High Performance Lens Coatings including Dielectric Coated Prism for Excellent Clarity and Contrast
- Push-Button, Flip-to-Side Mount with durable industry standard 1/2" hex keeper
- Ultra-compact size and weight
- IPX7 Waterproofing
- Bikini Lens Cover, and spacers to achieve (3) sight heights: absolute co-witness 1.41", 1.54" and lower 1/3rd co-witness 1.63" sight heights.
- AMR™ - Automatic Modified Reticle in specially equipped models.
- SIG SAUER® Infinite Guarantee™

## PRODUCT IDENTIFICATION

- A – 1/2" Hex Keeper
- B – Ocular Housing with Adjustable Diopter
- C – Elevation Adjustment
- D – Windage Adjustment
- E – Push-Button, Flip-to-Side Mount



SPECIFICATIONS	JULIET3-MICRO	JULIET5-MICRO
Magnification	3X	5X
Clear Aperture	22	24
Field of View	6.8°	4.0°
Eye Relief	63 mm	60 mm
Diopter Range	± 2Dpt	± 2Dpt
Waterproof	IPX-7	IPX-7
Length	81 mm	79 mm
Weight	277 g	273 g
Weight [AMR™ Equipped Models]	293 g	289 g



**⚠ WARNING UNLOAD/CLEAR**



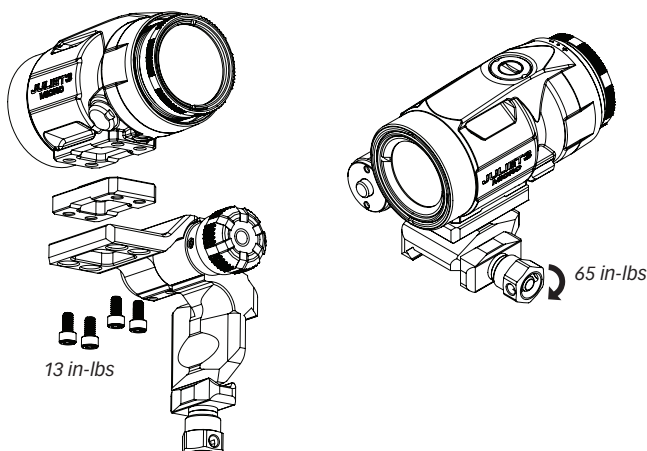
ENSURE YOUR FIREARM IS UNLOADED AND CLEARED OF ALL AMMUNITION AND THE SAFETY IS ENGAGED PRIOR TO INSTALLING OR REMOVING THE JULIET-MICRO.

## OPERATION

### Installation

#### Step 1 - Sight Height

Your JULIET-MICRO comes configured for 1.41" absolute co-witness, but also includes spacer kits for 1.535" and 1.63" lower 1/3rd co-witness. Determine the sight height of your red dot and adjust your JULIET-MICRO sight height accordingly by using the spacer kits provided. The 4 mounting screws should be torqued to 13 in-lbs.



## Step 2 - Install on Rail

Locate your JULIET-MICRO behind your red dot under the following considerations:

1. Charging handle should be accessible
2. Eye relief is optimal when firearm is shouldered
3. Magnifier does not interfere with red dot or other accessories while using flip-to-side feature
4. AMR equipped models must be mounted within 3 rail slots behind red dot

Once the correct rail position is determined for the JULIET-MICRO you may need to move the red dot.

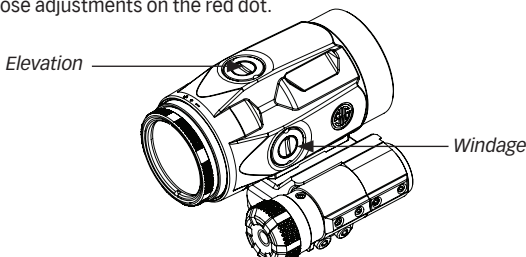
Once both positions of the JULIET-MICRO and your red dot are determined, torque the 1/2" hex nut to 65 in-lbs. If your red dot was removed or repositioned during this process, re-install per manufacturer's specifications.

## Step 3 - Center Elevation & Windage

Ensure that your red dot is zeroed.

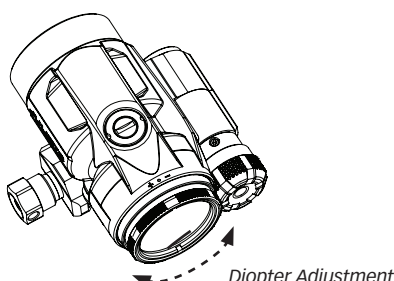
Using the JULIET-MICRO elevation and windage adjustments, rotate one at a time until the red dot is centered in the field of view.

Note: The JULIET-MICRO adjustments will not affect Point of Aim (POA). You will need to make those adjustments on the red dot.



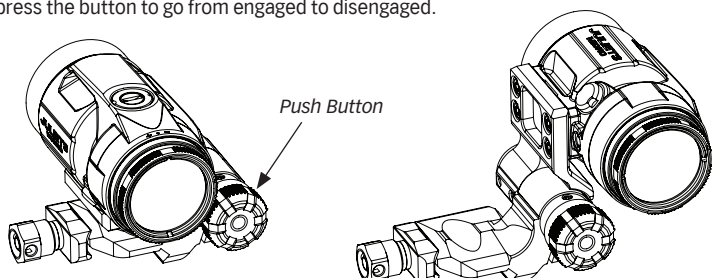
## Step 4 - Set Diopter

JULIET-MICRO comes with an adjustable diopter. To adjust diopter, rotate the eyepiece until the red dot reticle is crisp and clear.



## Step 5 - Flip-to-Side Mount

JULIET-MICRO magnifier comes installed to a push-button, flip-to-side mount. Simply press the button to go from engaged to disengaged.



## Step 6 - AMR™ Automatic Modified Reticle

Specially equipped magnifier models will feature AMR compatibility. AMR is a proprietary technology that enables red dots to sense when a magnifier is flipped in line, allowing for custom reticle configurations and brightness settings. The magnifier must be mounted within 3 rail slots behind the red dot. See your AMR equipped red dot manual for more information.

TROUBLESHOOTING	
<b>Magnifier comes loose</b>	Verify 1/2" Hex Nut is torqued to 65 in-lbs
	Verify (4) Mounting screws torqued to 13 in-lbs
<b>POA/POI Shift</b>	Verify red dot is zeroed
<b>Dot or Reticle is blurry</b>	Adjust diopter until crisp and clear
<b>Seeing "scope shadow"</b>	Turn JULIET-MICRO elevation and windage adjustments until dot is centered in field of view
	Ensure JULIET-MICRO is configured to match red dot sight heights of 1.41", 1.535" or 1.63".
<b>Charging handle is inaccessible</b>	Move JULIET-MICRO forward on rail until charging handle is accessible
<b>Lens is cloudy or dirty</b>	Clean both lenses with provided lens cloth
<b>AMR not working</b>	Ensure magnifier and red dot are AMR compatible Adjust magnifier positioning behind red dot Magnifier must be within 3 rail slots behind red dot

**WARNING: CANCER AND REPRODUCTIVE HARM**  
– [www.P65Warnings.ca.gov](http://www.P65Warnings.ca.gov)



## SIG SAUER® Infinite Guarantee™

SIG SAUER® has a history of quality and reliability that dates back more than 250 years. We understand the importance of true dependability whether it be in the line of duty, at the shooting range or on your next hunt and we continually strive to deliver products that meet and exceed the expectations of even the most demanding customers. That's why SIG SAUER is proud to offer our INFINITE GUARANTEE\* on all our firearms, optics, and suppressors.

Our promise: We warrant that your new SIG SAUER firearm, optic, or suppressor was originally manufactured free of defects in material, workmanship, electrical, optical, and mechanical function. We will repair your SIG SAUER product in the event it becomes damaged or is defective in any way, at no charge to you. If we cannot repair your product, we will replace it or, if we cannot replace it, we will provide you with a replacement of equal value. All with no questions asked, forever.

### SIG SAUER® INFINITE GUARANTEE

- Fully Transferable
- No Warranty Card Required
- No Receipt Required
- No Time Limit Applies
- No Charge

Please note that our Infinite Guarantee excludes coverage for intentional damage, misuse, cosmetic damage that does not affect the performance of the optic, loss, theft, or unauthorized repair or modification. Excludes Tritium components.

Customers seeking warranty coverage must first obtain a Return Merchandise Authorization (RMA) by contacting SIG SAUER Customer Service and return the product unloaded and freight prepaid.

ANY WARRANTIES IMPLIED BY LAW, INCLUDING ANY IMPLIED WARRANTIES OF MERCHANTABILITY OR FITNESS FOR A PARTICULAR PURPOSE, ARE EXPRESSLY LIMITED IN DURATION TO THE DURATION OF THIS WRITTEN WARRANTY PERIOD. REPAIR, ALTERATION, OR REPLACEMENT AS PROVIDED HEREIN IS YOUR EXCLUSIVE REMEDY FOR ANY DEFECTIVE PRODUCT. IN NO EVENT SHALL SIG SAUER OR ANY COMPANY AFFILIATED WITH SIG SAUER BE LIABLE FOR ANY SPECIAL, INCIDENTAL, OR CONSEQUENTIAL DAMAGES OF ANY KIND ARISING OUT OF THE PURCHASE OR USE OF THIS PRODUCT, WHETHER BASED UPON CONTRACT, TORT, STATUTE, OR OTHERWISE. Some states do not allow the limitation of implied warranties, or the exclusion or limitation of incidental or consequential damages, so some or all of the above limitations or exclusions may not apply to you. This warranty gives you some of the legal rights and you may also have other rights which vary from State to State.

This warranty applies to non-commercial customers only and does not apply to government, non-commercial, or non-US customers. Non-US COMMERCIAL CUSTOMERS MUST PURCHASE PRODUCT THROUGH AN AUTHORIZED SIG SAUER DEALER WITHIN THEIR COUNTRY OF RESIDENCE FOR THIS WARRANTY TO APPLY.

**FOR PRODUCT SERVICE ON THIS MODEL,  
PLEASE CALL 603-610-3000**

12100 SW Tualatin Road, Tualatin, OR 97062

**SIG SAUER®**