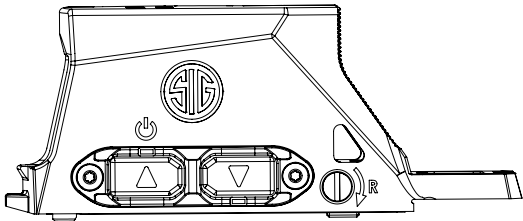


# **SIGSAUER**



## **ROMEO-M17**

**MIL-SPEC Reflex Sight  
OPERATOR'S MANUAL**



**READ THE INSTRUCTIONS AND WARNINGS IN THIS MANUAL CAREFULLY BEFORE USING THIS OPTIC; DO NOT DISCARD THIS MANUAL.**

## TABLE OF CONTENTS

Introduction . . . . .	3
Contents . . . . .	4
Key Features . . . . .	5
Product Identification . . . . .	6
Battery Button Warning Information . . . . .	9
Operation . . . . .	11
Mounting the Sight . . . . .	14
Sight Adjustments and Zeroing . . . . .	29
Maintenance . . . . .	31
Troubleshooting . . . . .	32
Specifications . . . . .	33
SIG SAUER Infinite Guarantee . . . . .	34

## INTRODUCTION

Designed, developed, tested and assembled in the USA, the ROMEO-M17 MIL-SPEC reflex sight is a revolutionary pistol optic that is built for use in the harshest environments. It will mount directly to pistol slides that utilize the SIG SAUER M17/M18 Modular Handgun System configuration, with a single screw hole in the rear of the slide to secure the rear sight assembly.

The ROMEO-M17 features a high-efficiency point source LED emitter and aspherical glass lens, utilizing a high-performance red notch reflector coating for excellent brightness and light transmission with zero distortion. A circle/dot reticle with 15 brightness settings ensures rapid target engagement with both eyes open, for maximum situational awareness. D.A.R.C. (Dark Adaptive Reticles & Coatings) technology provides the ideal reticle brightness and target clarity while using GEN3+ night vision devices. The emitter system is completely enclosed and sealed, ensuring your illuminated reticle is never interrupted by moisture or debris, and the rugged 7075 Aluminum housing protects the optic from the most severe shocks and drops. The common CR2032 battery is accessed from the side of the optic, eliminating the need to remove the optic from the firearm.

The ROMEO-M17 is covered by the SIG SAUER Infinite Guarantee.

## CONTENTS

- ROMEO-M17 1x24mm MIL-SPEC Reflex Sight
- CR2032 Battery
- Mounting Screw
- Dust Cover
- Loctite® 271 Red Threadlocker
- Operator's Manual



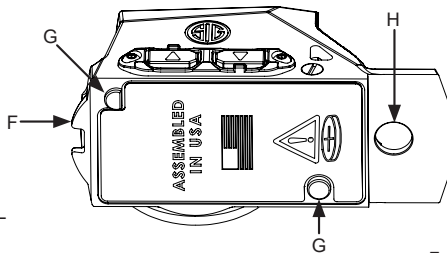
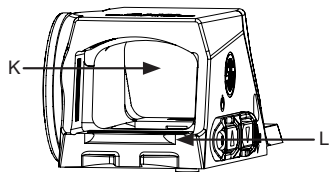
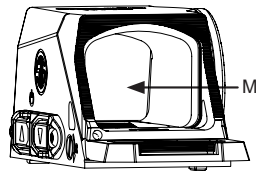
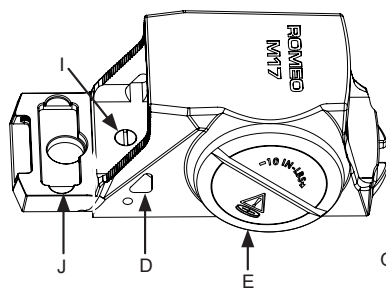
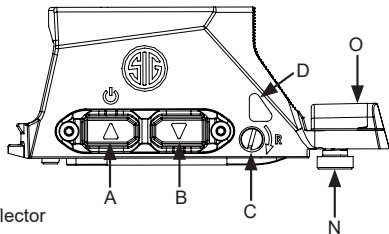
Scan the QR code to visit [sigsauer.com](http://sigsauer.com) where you will find additional information about SIG SAUER products, SIG SAUER Academy and the SIG Experience Center, Special Programs, and additional support.

## KEY FEATURES

- A fully enclosed, sealed and purged optical system, providing ultimate protection from the elements.
- 7075 Aluminum housing featuring SIG-LOC™ proprietary mounting interface, Loaded Chamber Indicator (LCI) gas deflector, and anti reflection grooves on all rear surfaces.
- Extremely low deck height, allowing a full sight picture and co-witness with standard-height sights.
- High-efficiency point source LED emitter, with independently selectable 2 MOA dot/32 MOA circle reticle.
- Independent brightness adjustment buttons that are recessed within a protective plate which can be activated even with gloves on.
- 15 brightness settings (12 Daylight/3 NV)
- Side-mounted CR2032 battery compartment with a threaded battery cap, for easy battery changes without the need to remove the optic from the firearm.
- Minimum continuous runtime of 20,000 hours, at medium brightness setting.
- MOTAC (Motion Activated Illumination) that powers up when it senses motion and powers down when it does not.
- MAGNETAC (Magnetic Activation) automatically turns the optic off when holstered in a compatible holster, and instantly turns the optic on when drawn from the holster.
- D.A.R.C. (Dark Adaptive Reticles & Coatings) technology provides ideal reticle brightness and target clarity while using GEN3+ night vision devices.
- Designed, developed, tested and fully assembled in the USA.
- SIG SAUER Infinite Guarantee.

## ROMEIO-M17 PRODUCT IDENTIFICATION

- A – ▲ (Up) Brightness Adjustment (Press and Release), and Power ON/OFF (Press and Hold)
- B – ▼ (Down) Brightness Adjustment (Press and Release), and Reticle Change (Press and Hold)
- C – Windage Adjustment Screw
- D – Drain Port
- E – Battery Cap
- F – Wedge
- G – Recoil Lug
- H – Mount Screw Hole
- I – Elevation Adjustment Screw
- J – Rear Sight Channel
- K – Front Lens
- L – Loaded Chamber Indicator (LCI) Gas Deflector
- M – Rear Window
- N – Mounting Screw (1 included)
- O – M17/M18 PISTOL REAR SIGHT (not included with optic, shown for reference, Part Number 1302081M17)





WARNING

UNLOAD/CLEAR



BEFORE WORKING ON YOUR ROMEO-M17 SIGHT, ALWAYS ENSURE THAT THE FIREARM IS UNLOADED AND CLEARED WITH THE SAFETY ON AND POINTED IN A SAFE DIRECTION. FAILURE TO COMPLY COULD RESULT IN INJURY OR DEATH.

## BUTTON BATTERY WARNING INFORMATION

**⚠ WARNING**

- **INGESTION HAZARD:** This product contains a button cell or coin battery.
- **DEATH** or serious injury can occur if ingested.
- A swallowed button cell or coin battery can cause **Internal Chemical Burns** in as little as **2 hours**.
- **KEEP** new and used batteries **OUT OF REACH** of **CHILDREN**.
- **Seek immediate medical attention** if a battery is suspected to be swallowed or inserted inside any part of the body.



- Keep in original package until ready to use.
- Remove and immediately recycle or dispose of used batteries according to local regulations and keep away from children. Do NOT dispose of batteries in household trash or incinerate.
- For treatment information call, The National Battery Ingestion Hotline (NBH) 1-(800) 498-8666.

## ⚠ WARNING

- Even used batteries may cause severe injury or death.
- Call a local poison control center for treatment information.
- Compatible battery: CR2032 Nominal voltage: 3V
- Do not mix old and new batteries, different brands or types of batteries, such as alkaline, carbon-zinc, or rechargeable batteries.
- Ensure the batteries are installed correctly according to polarity (+ and -).
- Remove and immediately recycle or dispose of batteries from equipment not used for an extended period of time according to local regulations.
- Non-rechargeable batteries are not to be recharged.
- Do not force discharge, recharge, disassemble, heat above 212°F(100°C) or incinerate. Doing so may result in injury due to venting, leakage or explosion, resulting in chemical burns.
- Always completely secure the battery compartment. If the battery compartment does not close securely, stop using the product, remove the batteries, and keep them away from children.



WARNING: CANCER AND REPRODUCTIVE HARM—[www.P65warnings.ca.gov](http://www.P65warnings.ca.gov)



## OPERATION

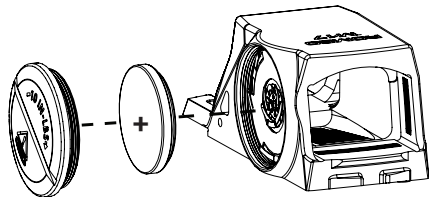
### NOTE

Failure to properly torque the battery cap in a clockwise (CW) direction to 10 in-lbs could lead to an ingestion hazard of the coin battery, intermittent LED illumination or allow moisture into the battery compartment.

### Installing the Battery

The battery cap is located on the right side of the optic and is threaded into the housing.

1. Use a properly sized flat blade tool in the slot, and turn counterclockwise to remove. The cap edge is knurled, for removal and installation by hand if a tool isn't available.
2. Install a fresh CR2032 coin cell battery with the positive (+) side facing out.
3. Install battery cap by carefully threading it clockwise into the housing until it is tight against housing. The proper torque value to install the battery cap is 10 in-lbf.



## Turning Sight On and Off

- Turn the sight ON by pressing and holding the ▲ (UP) brightness button for over 1 second. Turn the sight OFF by repeating the same procedure.
- To cycle through the reticles (dot, circle, and circle/dot combination) press and hold the ▼ (DOWN) brightness button for over 1 second. Release the button when the desired reticle is being displayed.
- The ROMEO-M17 features MOTAC (Motion Activated Illumination System). If the illuminated reticle does not detect motion for 2 minutes, it automatically shuts off. The instant the optic detects motion, it powers on returning to the previous brightness and reticle setting.
- The ROMEO-M17 has 15 brightness settings, 12 daylight and 3 night vision. While the sight is ON, increase the brightness of the reticle by pressing and releasing the ▲ (UP) brightness button until the desired brightness level is reached. To decrease the brightness, press and release the ▼ (DOWN) brightness button. Each press of a brightness button will alter the brightness by one setting. The reticle will blink 5 times when the highest or lowest setting is reached.

## MAGNETAC™ Technology

The ROMEO-M17 is equipped with a sensor located near the front left edge inside the aluminum housing. When using a compatible MAGNETAC™ holster with a Neodymium magnet, the optic will automatically turn off when the firearm is fully inserted into the holster, to conserve battery life. When the firearm is drawn from the holster, the ROMEO-M17 will immediately turn on to the last brightness setting used. For a list of MAGNETAC compatible holsters for your firearm and ROMEO-M17 combination, call SIG SAUER Customer Service (603) 610-3000.

## INSTALLATION

**WARNING****UNLOAD/CLEAR**

**BEFORE WORKING ON YOUR ROMEO-M17 SIGHT, ALWAYS ENSURE THAT THE FIREARM IS UNLOADED AND CLEARED WITH THE SAFETY ON AND POINTED IN A SAFE DIRECTION. FAILURE TO COMPLY COULD RESULT IN INJURY OR DEATH.**

## MOUNTING THE SIGHT

Do not attempt to disassemble your SIG SAUER firearm beyond the steps explained in this manual. Disassembly beyond the instructions in the Operators Manual is restricted to a certified SIG SAUER Armorer. Failure to comply with these restrictions will void your warranty. If you do not feel that you have the ability to complete the installation of this kit, seek the help of a Certified SIG SAUER Armorer.

### CAUTION

FAILURE TO FOLLOW INSTALLATION INSTRUCTIONS WILL RESULT IN SIGHT COMING LOOSE CAUSING DAMAGE TO SLIDE.

### NOTE

The original rear sight will be re-used during installation of ROMEO-M17.

1. Remove the slide from the firearm then remove the recoil assembly and barrel from the slide. Consult your firearms Operators Manual for field stripping instructions.

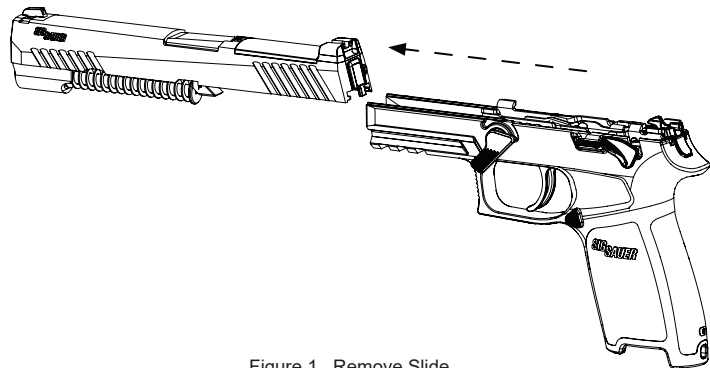


Figure 1. Remove Slide.

2. Push in extractor plus pin (Figure 2, Item 2) at rear of slide (Figure 2, Item 1).

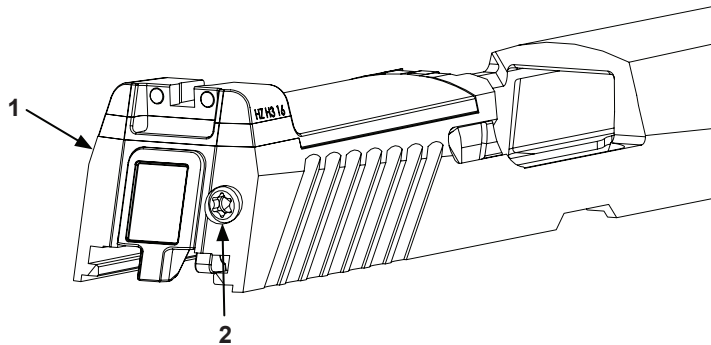


Figure 2. Extractor Plus Pin.

## CAUTION

USE CAUTION WHEN REMOVING STRIKER ASSEMBLY AS SMALL PARTS CAN BECOME DISLODGED, DAMAGED, OR LOST.

3. Pull rear cap (Figure 3, Item 3) out of slide (Figure 3, Item 1) while slightly pressing extractor plus pin (Figure 3, Item 2).

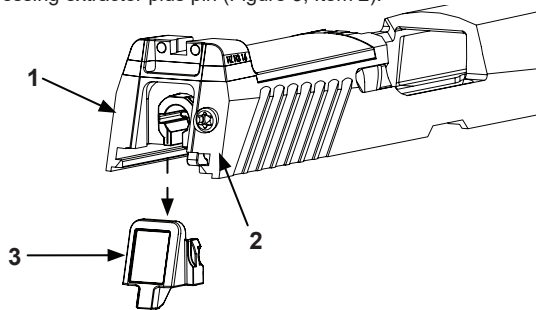


Figure 3. Rear Slide Cap Removal.

4. Remove extractor plus pin (Figure 4, Item 4), extractor spring (Figure 4, Item 3), and extractor pin (Figure 4, Item 2) from slide (Figure 4, Item 1).

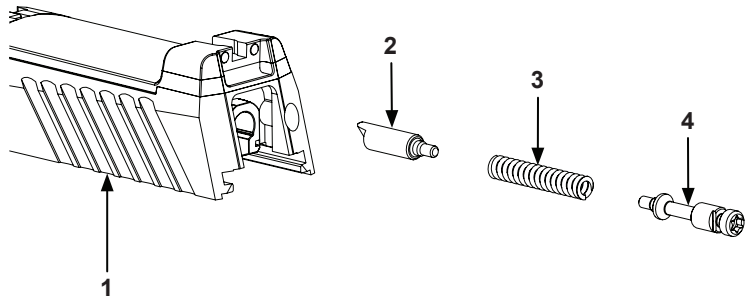


Figure 4. Extractor Pin Removal.

5. Remove extractor (Figure 5, Item 2) from slide (Figure 5, Item 1).

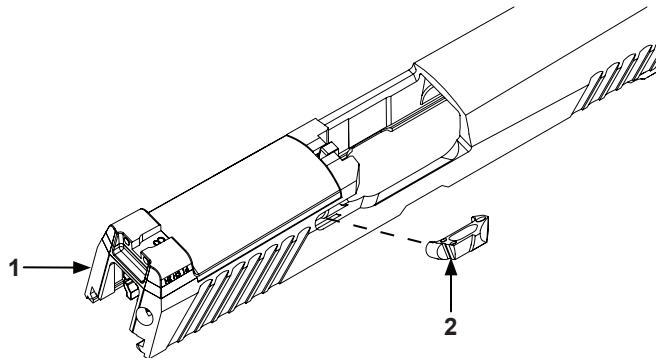


Figure 5. Extractor Removal.

6. Remove striker assembly (Figure 6, Item 1) from slide (Figure 6, Item 2).

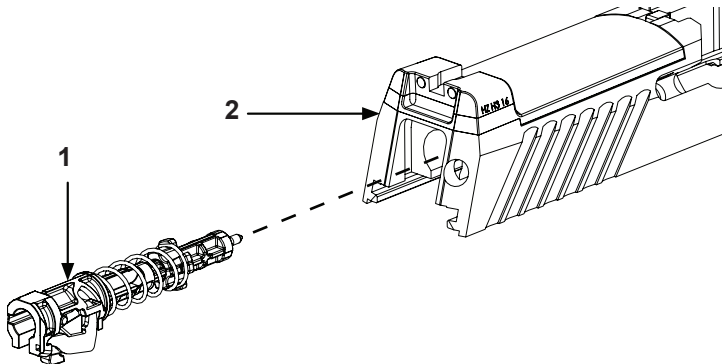


Figure 6. Striker Assembly Removal.



## WARNING TRITIUM SIGHTS



### SPECIAL CONSIDERATIONS FOR DAMAGED NIGHT SIGHTS

SOME SIG SAUER PISTOLS COME EQUIPPED WITH SIGHTS THAT CONTAIN RADIOACTIVE MATERIAL FOR ILLUMINATION DURING LOW LIGHT CONDITIONS ("NIGHT SIGHTS"). THESE SIGHTS ARE COMMONLY MARKED "H3". THE RADIATION SOURCE IS HYDROGEN-3 (H3), ALSO KNOWN AS TRITIUM, CONTAINED IN A SEALED VIAL. SIG SAUER NIGHT SIGHTS CONTAIN LESS THAN 90mCi OF TRITIUM AND MEET THE UNITED STATES NUCLEAR REGULATORY COMMISSION (NRC) REQUIREMENT 10 CFR 32.23.

THE OPERATIONAL TEMPERATURE RANGE OF SIG SAUER TRITIUM SIGHTS IS -300C/-220F TO +600C/+1400F. THE BETA RADIATION EMITTED BY TRITIUM IS ONLY A HAZARD IF THE TRITIUM VIAL IS BROKEN AND INGESTED OR INHALED. THE BODY DOES NOT EASILY RETAIN HYDROGEN OR TRITIUM AS A GAS. HOWEVER, THE BURNING OF TRITIUM PRODUCES TRITIUM OXIDE WHICH 10,000 TIMES MORE HAZARDOUS. FOR THIS REASON, GREAT CARE SHOULD BE TAKEN TO AVOID FLAME IN THE PRESENCE OF DAMAGED TRITIUM SIGHTS.



AFTER CONTACT WITH A SUSPECTED DAMAGED TRITIUM SIGHT, CAREFULLY WASH YOUR HANDS WITH SOAP AND WATER. DO NOT HANDLE DAMAGED SIGHTS IF YOU HAVE OPEN SKIN CUTS OR ABRASIONS. DO NOT EAT, DRINK, SMOKE OR APPLY COSMETICS IN THE PRESENCE OF DEFECTIVE OR DAMAGED TRITIUM NIGHT SIGHTS.

**WARNING TRITIUM SIGHTS****SPECIAL HANDLING FOR REPAIR, RETURN, OR DISPOSAL**

END USER IS EXEMPT FROM ANY REGULATORY RESPONSIBILITY.

USE ONLY A PROPER SIGHT INSTALLATION/PUSHER TOOL. USE OF A PUNCH MAY DAMAGE THE TRITIUM VIAL.

**DO NOT ATTEMPT TO DISASSEMBLE OR REPAIR A TRITIUM NIGHT SIGHT.**

TRITIUM NIGHT SIGHTS ARE EXPECTED TO LOSE APPROXIMATELY HALF THEIR BRIGHTNESS AFTER 5 YEARS. TRITIUM NIGHT SIGHTS SHOULD BE DISPOSED OF IN ACCORDANCE WITH LOCAL REGULATIONS AND SHOULD NEVER BE BURNED.

SIG SAUER WILL RESPONSIBLY DISPOSE OF OLD OR DAMAGED TRITIUM NIGHT SIGHTS.

PLEASE CONTACT SIG SAUER CUSTOMER SERVICE FOR INSTRUCTIONS TO RETURN OLD OR DAMAGED NIGHT SIGHTS FOR DISPOSAL OR TO OBTAIN RETURN MERCHANDISE AUTHORIZATION FOR REPAIR OR RETURN OF ITEMS STILL UNDER WARRANTY.

**NOTE**

Set slide on flat surface with bottom of slide facing up to ease removal of screw.

7. Use a T15 Torx® bit to remove rear sight plate screw (Figure 7, Item 1) from slide (Figure 7, Item 2). Do not reuse this rear sight plate screw. Use new screw provided with ROMEO-M17 optic.

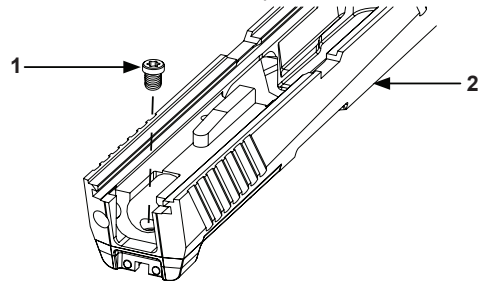


Figure 7. Remove Sight Plate Screw.

- Remove rear sight base assembly (Figure 8, Item 1), sight plate (Figure 8, Item 2) from slide (Figure 8, Item 3).

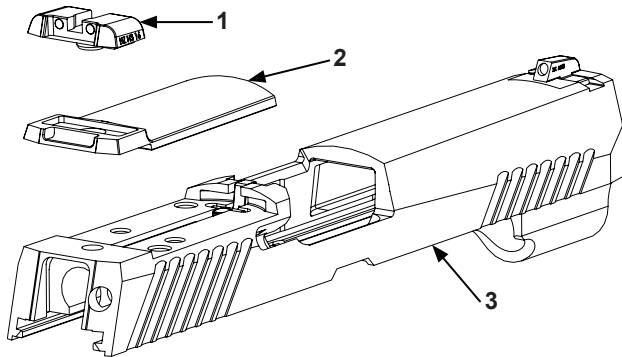


Figure 8. Removal of Sight Plate

- Ensure loaded chamber indicator (LCI) (Figure 9, Item 1) is properly installed in slide. Clean sight mounting surface of slide (Figure 9, Item 2).

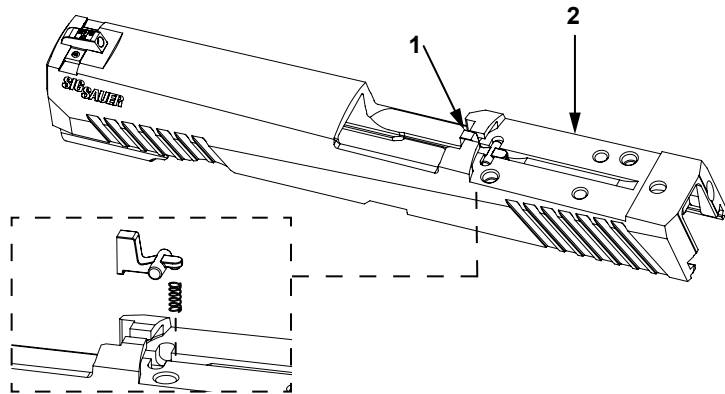


Figure 9. Inspect Slide

10. Insert front wedge of sight (Figure 10, Item 2) into cutout in slide (Figure 10, Item 1). Set sight onto slide ensuring front recoil lug (Figure 10, Item 6) seats in front hole (Figure 10, Item 4) and rear recoil lug (Figure 10, Item 5) seats in rear hole (Figure 10, Item 3) of slide.

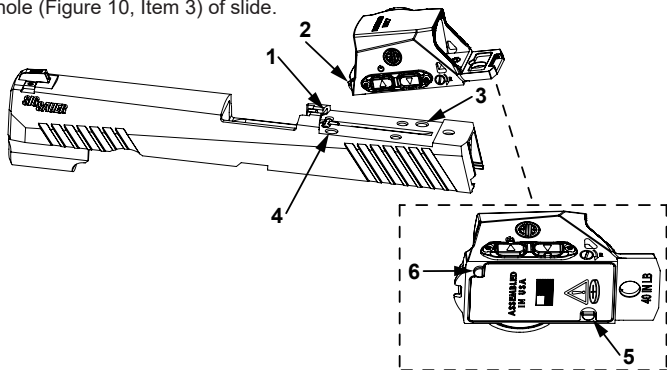


Figure 10. Position Sight on Slide

- Install rear sight (Figure 11, Item 1) to rear sight channel (Figure 11, Item 2).

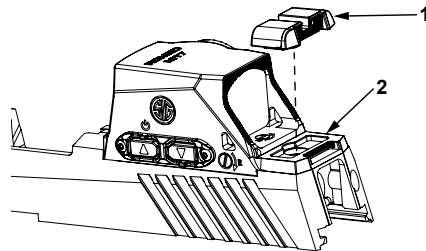


Figure 11. Install Rear Sight.

### CAUTION

USE SUPPLIED SIGHT SCREW. FAILURE TO DEGREASE SCREW AND SIGHT THREADS BEFORE APPLYING THREADLOCKER WILL CAUSE SCREW TO COME LOOSE. FAILURE TO FOLLOW THESE INSTRUCTIONS AND PROPERLY TORQUE SCREW WILL RESULT IN DAMAGE TO COMPONENTS. THREADLOCKER MUST BE ALLOWED TO CURE FOR 24 HOURS PRIOR TO PISTOL BEING USED.

11. Degrease sight threads (Figure 12, Item 1) and sight screw threads (Figure 12, Item 2) then apply threadlocker.
12. Install new rear sight plate screw (Figure 12, Item 2) to rear sight (Figure 12, Item 1) then tighten to 40 in-lbf.

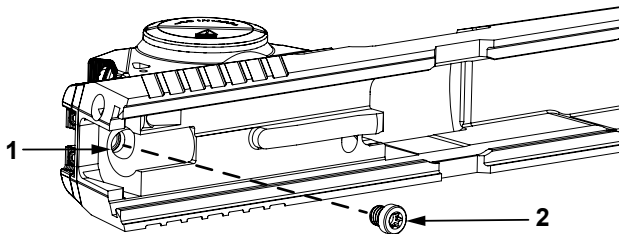


Figure 12. Install Sight Screw.

## SIGHT ADJUSTMENTS AND ZEROING

**Elevation Adjustments** – The elevation adjustment screw is located on top of the rear deck of the optic, just behind the rear glass window. To raise your point of impact, use a small flathead screwdriver to turn the adjustment screw counterclockwise. To lower your point of impact, turn the adjustment screw clockwise. Each click of the adjustment screw is equal to 1.5 MOA.

**Windage Adjustments** – The windage adjustment screw is located on the left side of the optic, just behind the brightness adjustment buttons. To move your point of impact right, use a small flathead screwdriver to turn the adjustment screw clockwise. To move your point of impact left, turn the screw counterclockwise. Each click of the adjustment screw is equal to 1.5 MOA.

### NOTE

The directional arrows near the adjustment screws indicate the direction your bullet impacts will move. They do not indicate the direction the reticle is moving.

## Zeroing

When mounted, the ROMEO-M17 should be sighted in just like a rifle optic. A precise group (minimum 5 rounds) should be shot at a cardboard or paper target. Compare the Point of Aim (POA) you held on the target with the Point of Impact (POI) of the rounds on the target. Use the windage and elevation adjustments to bring the point of aim together with the point of impact. It is recommended that initial sight-in procedure be done with a paper target at 5-7 yards, before moving the target to greater distances for final zeroing.

## MAINTENANCE



**WARNING**

**UNLOAD/CLEAR**



**BEFORE WORKING ON YOUR ROMEO-M17 SIGHT, ALWAYS ENSURE THE FIREARM IS UNLOADED AND CLEARED WITH THE SAFETY ON AND POINTED IN A SAFE DIRECTION. FAILURE TO COMPLY COULD RESULT IN INJURY OR DEATH.**

## CAUTION

ALWAYS BLOW DUST OR DEBRIS FROM LENSES PRIOR TO USING ANY CLOTH OR LENS PEN. FAILURE TO DO THIS MAY RESULT IN SCRATCHING OF THE LENSES.

- Cleaning – Keep front glass lens and rear glass window clear by using a clean, soft lens cloth. To avoid scratches in the surface of the lens coatings, be sure to remove any brass particles, dirt, dust or carbon buildup from the glass before wiping the surface. Use compressed air to blow away debris, and a cotton swab lightly soaked in Isopropyl Alcohol to remove carbon.
- Use the sight cover to ensure that the optic remains scratch free.
- Replacing the battery – See page 9 of this manual.

## TROUBLESHOOTING

### POI Changes between groups when shooting from a single set distance

- Check that your mount screw is tightened to 40 in-lbf.
- Check for variations in ammunition brand, bullet weight, and velocity specs.
- Check/clean your firearm.

### Reticle not illuminated

- Press and hold the ▲ (UP) brightness adjustment button for over 1 second. Continue to press and release the UP brightness adjustment button to make sure the illuminated reticle is not in one of the lowest illumination levels, which can be difficult to see in bright environments.
- Ensure the battery is installed properly (+ facing out).
- Make sure the battery cap is tightened to 10 in-lbs.
- Replace the CR2032 battery.

SPECIFICATIONS	
OVERALL LENGTH	2.42 in
OVERALL HEIGHT	.96 in
OVERALL WIDTH	1.24 in
WEIGHT WITH BATTERY	1.54 oz
MAGNIFICATION	1x
CLEAR APERTURE DIAMETER	24mm
RETICLE	2 MOA red dot / 32 MOA red circle
BATTERY TYPE	CR2032
BATTERY RUNTIME	Up to 20,000 hours (continuous at medium setting)
OVERALL ELEVATION TRAVEL	40 MOA
OVERALL WINDAGE TRAVEL	80 MOA
BRIGHTNESS SETTINGS	15 (12 daylight, 3 NV) – GEN3+ Night Vision compatible
WATER RESISTANCE	IPX8
WINDAGE/ELEVATION ADJUSTMENT (Per click)	1.5 MOA



## SIG SAUER® INFINITE GUARANTEE®

SIG SAUER® has a history of quality and reliability that dates back more than 250 years. We understand the importance of true dependability whether it be in the line of duty, at the shooting range or on your next hunt and we continually strive to deliver products that meet and exceed the expectations of even the most demanding customers. That's why SIG SAUER is proud to offer our INFINITE GUARANTEE\* on all our firearms, optics, and suppressors.

Our promise: We warrant that your new SIG SAUER firearm, optic, or suppressor was originally manufactured free of defects in material, workmanship, electrical, optical, and mechanical function. We will repair your SIG SAUER product in the event it becomes damaged or is defective in any way, at no charge to you. If we cannot repair your product, we will replace it or, if we cannot replace it, we will provide you with a replacement of equal value. All with no questions asked, forever.

### SIG SAUER® Infinite Guarantee®

- Fully Transferable
- No Warranty Card Required
- No Receipt Required
- No Time Limit Applies
- No Charge

Please note that our Infinite Guarantee excludes coverage for intentional damage, misuse, cosmetic damage that does not affect the performance of the optic, loss, theft, or unauthorized repair or modification. Excludes Tritium components.

Customers seeking warranty coverage must first obtain a Return Merchandise Authorization (RMA) by contacting SIG SAUER Customer Service and return the product unloaded and freight prepaid.

ANY WARRANTIES IMPLIED BY LAW, INCLUDING ANY IMPLIED WARRANTIES OF MERCHANTABILITY OR FITNESS FOR A PARTICULAR PURPOSE, ARE EXPRESSLY LIMITED IN DURATION TO THE DURATION OF THIS WRITTEN WARRANTY PERIOD. REPAIR, ALTERATION, OR REPLACEMENT AS PROVIDED HEREIN IS YOUR EXCLUSIVE REMEDY FOR ANY DEFECTIVE PRODUCT. IN NO EVENT SHALL SIG SAUER OR ANY COMPANY AFFILIATED WITH SIG SAUER BE LIABLE FOR ANY SPECIAL, INCIDENTAL, OR CONSEQUENTIAL DAMAGES OF ANY KIND ARISING OUT OF THE PURCHASE OR USE OF THIS PRODUCT, WHETHER BASED UPON CONTRACT, TORT, STATUTE, OR OTHERWISE. Some states do not allow the limitation of implied warranties, or the exclusion or limitation of incidental or consequential damages, so some or all of the above limitations or exclusions may not apply to you. This warranty gives you specific legal rights, and you may also have other rights which vary from State to State.

This warranty applies to commercial customers only and does not apply to government, non-commercial, or non-US customers. Non-US COMMERCIAL CUSTOMERS MUST PURCHASE PRODUCT THROUGH AN AUTHORIZED SIG SAUER DEALER WITHIN THEIR COUNTRY OF RESIDENCE FOR THIS WARRANTY TO APPLY.



**FOR PRODUCT SERVICE ON THIS MODEL,  
PLEASE CALL (603) 610-3000**

**12100 SW Tualatin Rd, Tualatin, OR 97062 USA**

All trademarks, service marks, trade names, trade dress, product names and logos appearing in this manual are the property of their respective owners. No trademark or service mark appearing in this manual may be used without written consent of the mark's owner.