

**SIGSAUER**



# **BRAVO**

**BRAVO6T RIFLESCOPE**

**OPERATOR'S MANUAL**

## CONTENTS

1.0 GENERAL SAFETY INFORMATION . . . . .	3
2.0 INTRODUCTION . . . . .	6
3.0 FEATURES . . . . .	7
4.0 PRODUCT IDENTIFICATION . . . . .	8
5.0 MOUNTING THE RIFLESCOPE . . . . .	10
6.0 OPERATION . . . . .	12
7.0 BALLISTIC COMPUTER, DIGITAL DISPLAY, AND MENUS . . . . .	24
8.0 INSTALLING AND USING THE BDX APP . . . . .	34
9.0 MAINTENANCE . . . . .	42
10.0 TROUBLESHOOTING . . . . .	43
11.0 BRAVO6T RETICLES . . . . .	44

Scan the QR code to visit [sigsauer.com](http://sigsauer.com) where you will find additional information about SIG SAUER products, SIG SAUER Academy and the SIG Experience Center, Special Programs, and additional support.



## 1.0 GENERAL SAFETY INFORMATION



### WARNING UNLOAD/CLEAR



**SAFETY IS THE NUMBER ONE CONCERN WHEN WORKING WITH FIREARMS. FAILURE TO COMPLY WITH THE WARNINGS IN THIS MANUAL CAN RESULT IN DEATH OR SERIOUS INJURY TO YOURSELF OR A BYSTANDER.**

- Keep the muzzle pointed in a safe direction at all times.
- Never allow live ammunition to be brought into maintenance and cleaning areas.
- Verify that the firearm is unloaded and clear prior to installing or adjusting this optic.
- Always wear safety glasses with side shields when performing maintenance.

### SETTING UP A SAFE WORK PLACE

Having a proper work area to install this optic will help ensure success and reduce the chance of damaging the optic or firearm. A solid workbench with a bench mat and a properly mounted vise with a means to secure the firearm will help free up your hands for installation.

## ⚠ WARNING

- **INGESTION HAZARD:** This product contains a button cell or coin battery.
- **DEATH** or serious injury can occur if ingested.
- A swallowed button cell or coin battery can cause **Internal Chemical Burns** in as little as **2 hours**.
- **KEEP** new and used batteries **OUT OF REACH of CHILDREN**.
- **Seek immediate medical attention** if a battery is suspected to be swallowed or inserted inside any part of the body.



- Keep in original package until ready to use.
- Remove and immediately recycle or dispose of used batteries according to local regulations and keep away from children. Do NOT dispose of batteries in household trash or incinerate.
- For treatment information call, The National Battery Ingestion Hotline (NBIH) 1-(800) 498-8666.

## ⚠ WARNING

- Even used batteries may cause severe injury or death.
- Call a local poison control center for treatment information.
- Compatible battery: 1/3N Nominal voltage: 3V
- Do not mix old and new batteries, different brands or types of batteries, such as alkaline, carbon-zinc, or rechargeable batteries.
- Ensure the batteries are installed correctly according to polarity (+ and -).
- Remove and immediately recycle or dispose of batteries from equipment not used for an extended period of time according to local regulations.
- Non-rechargeable batteries are not to be recharged.
- Do not force discharge, recharge, disassemble, heat above 140°F (60°C) or incinerate. Doing so may result in injury due to venting, leakage or explosion, resulting in chemical burns.
- Always completely secure the battery compartment. If the battery compartment does not close securely, stop using the product, remove the batteries, and keep them away from children.



WARNING: CANCER AND REPRODUCTIVE HARM—[www.P65warnings.ca.gov](http://www.P65warnings.ca.gov)



## 2.0 INTRODUCTION

No one understands the need for unquestioning accuracy better than SIG SAUER.® Our tactical riflescopes have been developed for military, law enforcement, long range hunters, and competitive shooters for one reason: when you take your shot, it will count.

BRAVO6T riflescopes are designed for the most demanding shooters. These variable power 6:1 HDX optics offer a clear image over the entire range of magnification. They feature our illuminated reticle system, an advanced electronic motion sensing illumination system, and multi locking, zero stop adjustments for an easy return to zero.

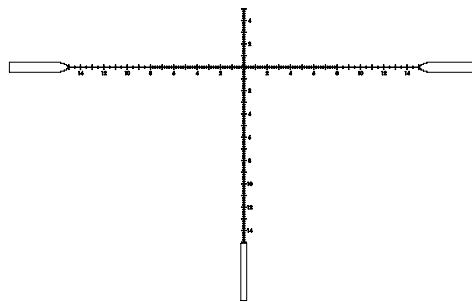
To get the most out of your BRAVO6T-BDX system, download the SIG BDX app and sync to BRAVO6T, see section 8.0 *Installing and Using the BDX App on page 34* for details on downloading and linking your devices.

### CONTENTS:

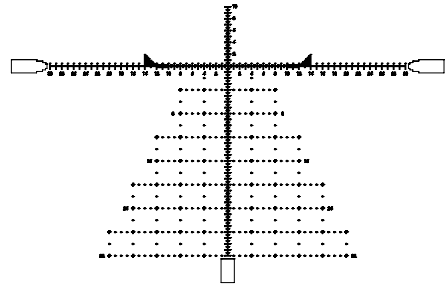
- BRAVO6T Rifle Scope
- (4) 1/3N Batteries (select models)
- Tools
- Sunshade (Select models)
- Throw Lever (Select models)
- Operator's Manual
- ALPHA5 Mount
- LRF Diving Board Ring Top

## 3.0 FEATURES

- Offered in First Focal Plane with two illuminated reticle options (see below)
- HDX™ optics-extra low dispersion glass (HD) combined with high transmittance glass (HT) provide industry leading light transmission and optical clarity for any situation.
- Dependable waterproof (IPX-7 rated for complete immersion up to 1 meter) and fog proof performance.



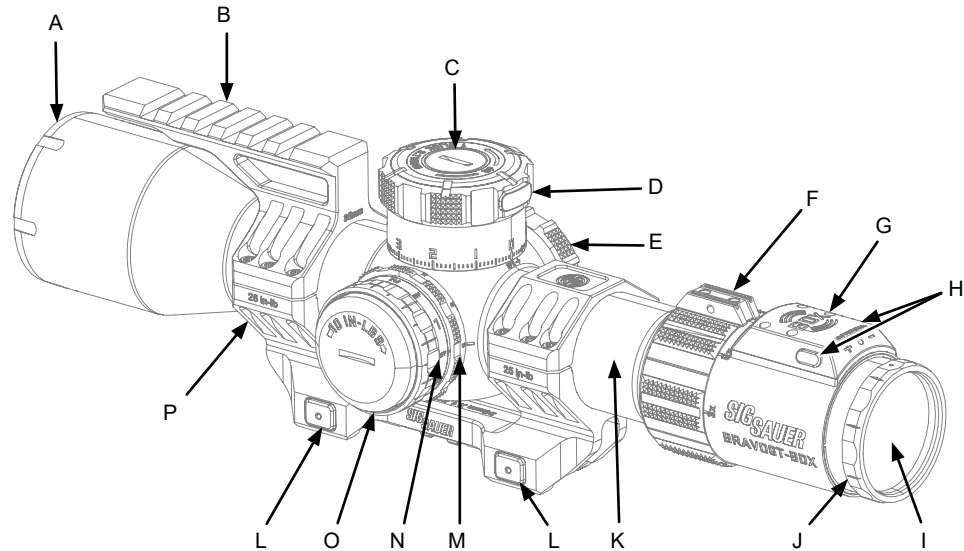
MILLING Reticle  
MRAD



DEV-L Reticle  
MRAD

## 4.0 PRODUCT IDENTIFICATION

- A. Objective Lens
- B. 1913 Accessory Rail, Ring Top (shown installed)
- C. Elevation Dial
- D. Elevation Dial Lock (press button to unlock)
- E. Windage Dial Cap
- F. Magnification Power Selector Ring
- G. Ballistic Computer, Environmental Sensors, and Bluetooth Antenna
- H. Left and Right Control Buttons
- I. Ocular Lens
- J. Diopter Adjustment Ring
- K. 35MM Maintube
- L. Mount Cross Bolts
- M. Parallax Adjustment Ring
- N. Digital Display Power ON/OFF and Brightness Selector (pull out to unlock)
- O. Battery Cap
- P. ALPHA5 Scope Mount



## 5.0 MOUNTING THE RIFLESCOPE



**WARNING UNLOAD/CLEAR**



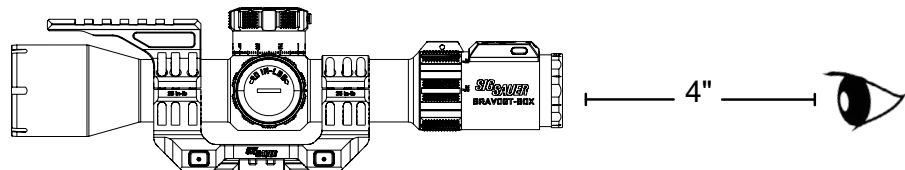
**ALWAYS UNLOAD AND CLEAR THE FIREARM AND ENSURE THE SAFETY IS ON BEFORE WORKING ON YOUR TANGO DMR RIFLESCOPE. FAILURE TO COMPLY CAN RESULT IN DEATH OR SERIOUS INJURY TO YOU OR A BYSTANDER.**

For your convenience, the BRAVO6T comes factory mounted in an ALPHA5 scope mount. Prior to installing the BRAVO6T on your rifle, first determine the correct placement and eye relief.

### 5.1 SETTING PROPER EYE RELIEF

You should set the eye relief while in the position you are most likely to shoot from and with the scope set to the highest magnification. The position of your head on the stock will change from a prone, standing, or bench rest position and will change the distance of your eye to the scope lens.

A good rule of thumb is to have about 4 inches of distance from your eye to the ocular lens. Move the scope base forward and backwards a single 1913 slot at a time until you have a full field of view with no shadow around the sight picture. Once satisfied, verify that the field of view is still unobstructed at both high and low magnification.



### 5.2 FIXING TO 1913 RAIL

Prior to securing the scope to the 1913 rail, press the mount forward into the rail cross slots and hand tighten the two  $\frac{1}{2}$ " cross bolts located on the right side. Next, while maintaining forward pressure, torque the crossbolts to 65 in-lbf alternating back and fourth using a calibrated torque wrench.

### 5.3 LEVELING THE SCOPE

As stated on the previous page, the BRAVO6T comes factory mounted in an ALPHA5 mount. There is no need to remove this mount. If removal is required, it is recommended the user follows these steps:

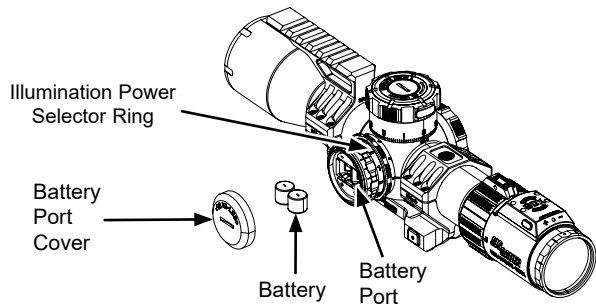
Ensure the rifle is level. With the rifle in a level position, rotate the scope in the rings until it is also level. Once both are level, tighten the cap screws. Maintain an equal gap between the base and the ring caps on each side. Use a criss-cross or star pattern to tighten the cap screws hand tight. Finally, tighten screws to the manufacturer's recommended torque setting using an inch pound torque wrench and repeat the criss-cross pattern while applying final torque.

## 6.0 OPERATION

### 6.1 INSTALLING THE BATTERY

All BRAVO6T riflescopes require two 1/3N batteries to operate the illuminated reticle and onboard ballistics computer (BDX). To install the batteries follow these steps:

1. Remove the battery port cover on the left side of the riflescope turret by turning it counterclockwise using a tool.
2. Place the two 1/3N batteries into the battery port. Pay special attention to the orientation.
3. Reinstall the battery cap by rotating the cap in a clockwise (CW) direction to 10 in-lbf.



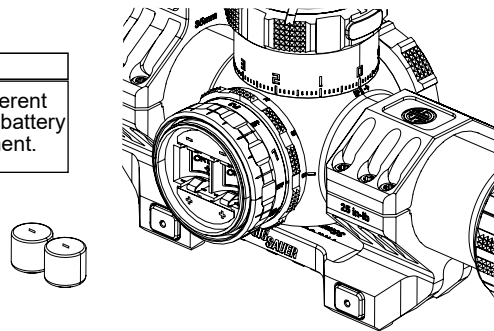
## CAUTION

FAILURE TO PROPERLY TORQUE THE BATTERY CAP IN A CLOCKWISE (CW) DIRECTION TO 10 IN-LBF COULD LEAD TO AN INGESTION HAZARD OF THE COIN BATTERY, INTERMITTENT LED ILLUMINATION, OR ALLOW MOISTURE INTO THE BATTERY.

### NOTE

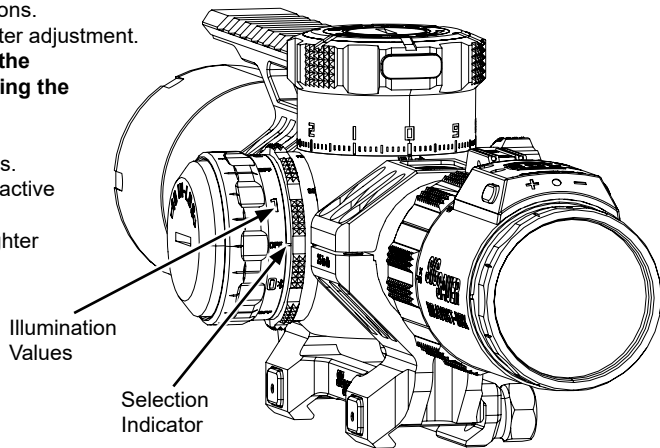
The negative terminal of the 1/3N battery is different than most other batteries, verify markings on the battery match what is shown on the battery compartment.

Torque to 10 in-lbf



## 6.2 ILLUMINATION AND DISPLAY BRIGHTNESS LEVEL

- Pull dial outward to unlock and rotate dial to select the illumination brightness level that best suits your conditions.
- Push dial inward to lock after adjustment.
- **The 0 position activates the digital display while leaving the illuminated reticle off.**
- Brightness levels alternate between on and off settings.
- Numerical values indicate active illumination settings.
- Higher values indicate brighter illumination.

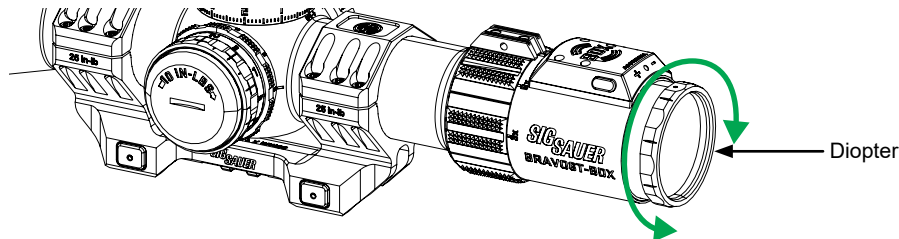


## 6.3 ADJUSTING THE SCOPE PRIOR TO ZEROING

The BRAVO6T ships from the factory with the reticle mechanically centered. This should get you close to a zero out of the box.

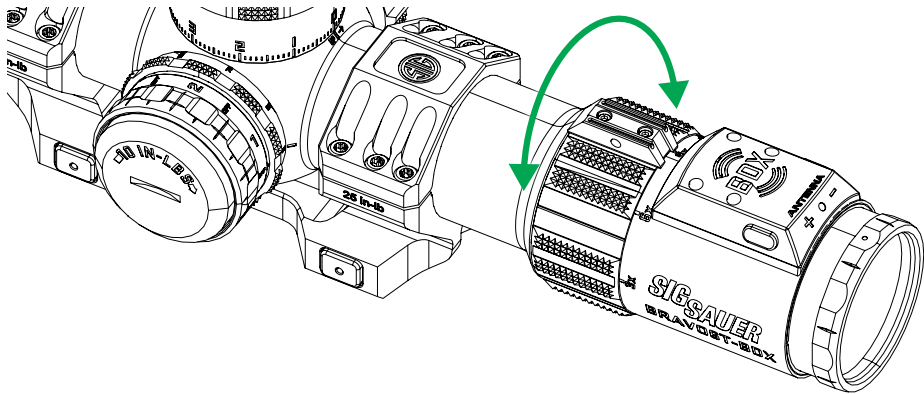
## 6.4 FOCUSING THE RETICLE USING THE DIOPTER

1. While maintaining proper eye relief, aim the scope at a large light colored background.
2. Focus on the reticle (not the target or background) for several seconds then look away.
3. Look through the scope again, focus on the reticle and adjust the diopter approximately one half turn. If the reticle appears more out of focus, turn the diopter in the opposite direction.
4. Repeat steps 2 and 3 until the reticle is sharp and clear.



## 6.5 ADJUSTING THE POWER

BRAVO6T riflescopes are variable power. In order to increase the power setting: rotate the power selector ring clockwise to increase the magnification. Continue to rotate the power selector ring until the desired magnification is reached. Turn the ring counterclockwise to decrease power setting.



## 6.6 BORE SIGHTING

If you are installing the riflescope from other than its factory settings, it is best to bore sight your riflescope. This will give you a coarse zero and will require minimal additional adjustments. There are several quality bore sighting devices available on the market. Utilizing a bore sighting device will save you time and ammunition. If you do not have access to a bore sighting device, you can follow the below listed steps.

1. Remove the bolt from your rifle's action (for AR style rifles, remove the rifle's upper receiver from the lower receiver then remove the bolt carrier, see rifle operator manual for further instruction).
2. Look through the rifle's barrel from the rear of the rifle and aim it so that your target is centered in the bore.
3. Without moving the position of the barrel, lift your head and look through the scope.
4. Using the elevation and windage adjustments of your riflescope, adjust the reticle so that it is also in the center of the target.

This will get you close on paper and should only require minimal adjustments.

## 6.7 PARALLAX ADJUSTMENT\*

Parallax is a visual effect that can make the reticle (crosshairs) appear to move across the target when you shift your eye position behind the scope. This happens because the reticle and the target are not focused on the same plane inside the scope.

At longer distances, parallax becomes more noticeable and can increasingly affect your accuracy. If the reticle seems to shift when you move your head, it means parallax is present and needs to be adjusted.

To adjust parallax:

1. Hang a target with a small bright aiming point.
2. While maintaining proper eye relief, look through the scope and use the side focus knob to get the target clear and sharp.
3. Without disturbing the rifle, lift your head slightly, and, while looking through the scope, move your head up and down then side to side while observing the reticle for any movement.
4. If there is movement in the reticle, make small adjustments to the parallax adjustment knob until the movement is eliminated.

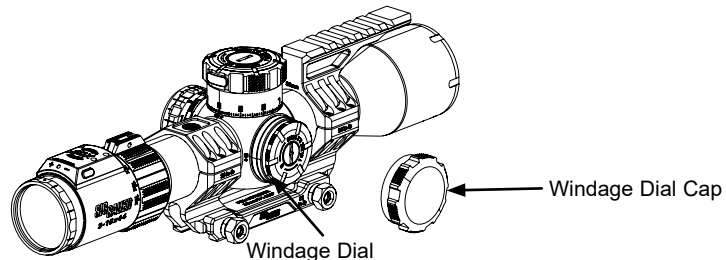
\*Certain models offer adjustment on the left side of the turret.

## 6.8 POINT OF IMPACT (POI) ADJUSTMENT

POI corrections should be done using the center of a three or five shot group. If you are not able to get a consistent shot group then you will need to further troubleshoot your firearm or ammunition.

## 6.9 ADJUSTING WINDAGE

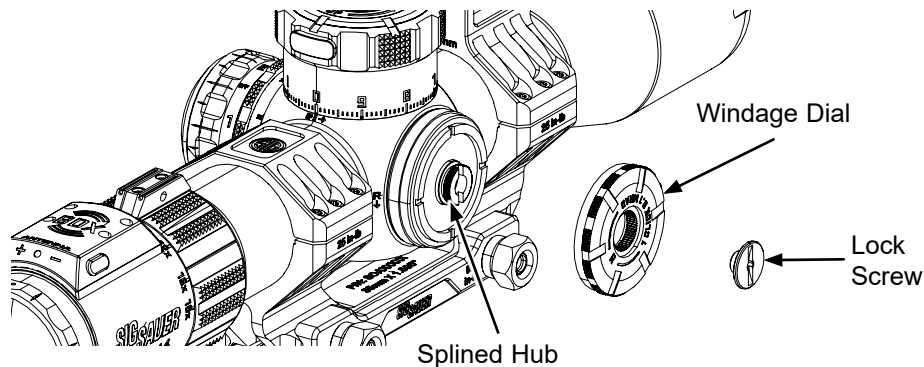
If your POI is located to the left of your point of aim (POA), you will need to adjust the windage to the right. To adjust the windage to the right, you must remove the windage dial cap. Once the dial cap is removed you are able to make POI adjustments. The value of each click is marked on the dial. To move the POI to the right, turn the windage adjustment dial counterclockwise. To move the POI to the left, turn the windage adjustment dial clockwise. Once you are satisfied with your POI correction, you can reset the dial to zero as described in section 6.10 *Resetting the Zero of your WINDAGE adjustment dial on page 20.*



## 6.10 RESETTING THE ZERO OF YOUR WINDAGE ADJUSTMENT DIAL

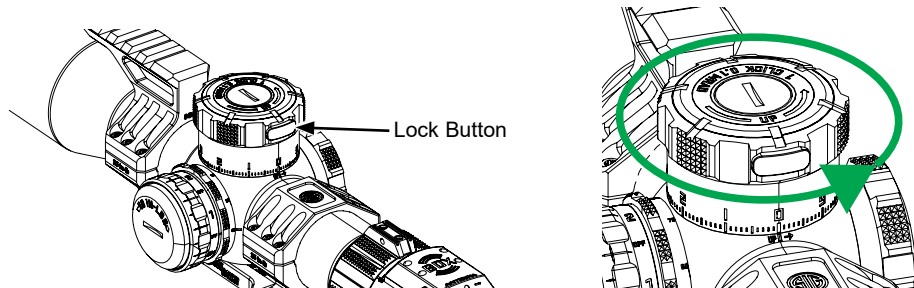
Once you have your windage corrected, you can reset your windage dial to zero. To do this:

1. Remove the lock screw using a coin or the provided tool.
2. Carefully pull the windage dial from the turret.
3. Align the (0) on the dial with the indicator line on the turret.
4. Re-attach the dial to the splined hub of the turret and install the lock screw.



## 6.11 ADJUSTING ELEVATION

If your POI is located above or below your POA you will need to adjust the elevation adjustment dial. To adjust the elevation up, push in the lock button then turn the elevation adjustment dial counter-clockwise. To move the POI down you will need to turn the elevation adjustment dial clockwise. Automatic locking function occurs at the zero position, 10 clicks below and 250 clicks above zero.



Once your elevation POI is located where you want it in relation to your POA, you can reset your turret to zero as described in section 6.12 *Resetting the Zero of your ELEVATION adjustment dial on page 22.*

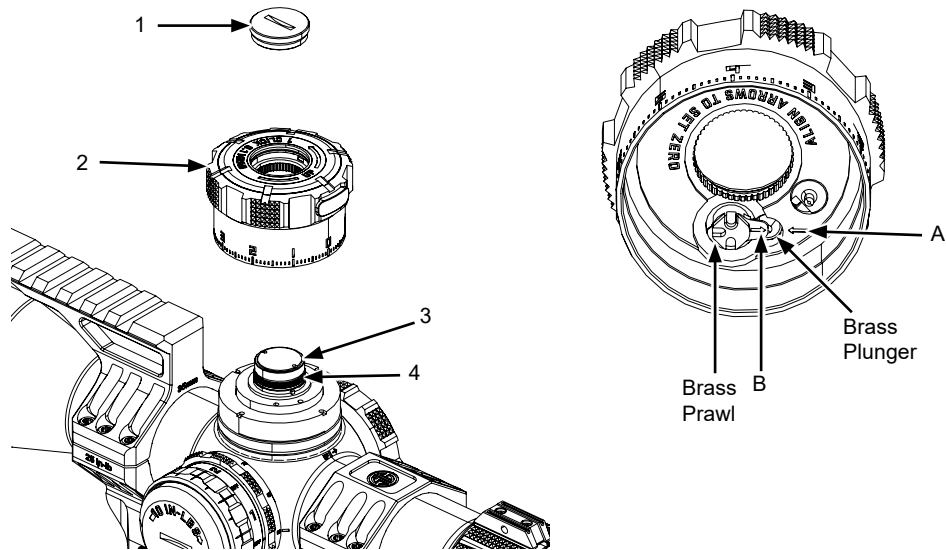
## 6.12 RESETTING THE ZERO OF YOUR ELEVATION ADJUSTMENT DIAL

The elevation adjustment dial of BRAVO6T riflescopes are able to be zeroed.

1. Remove screw (1) from top of elevation dial (2) using the included tool or a coin.
2. Lift elevation dial (2) off splined hub (3).
3. Turn dial (2) upsidedown and locate brass pawl.
4. Rotate brass pawl until it stops on top of brass plunger. Pawl should lock in place as shown and indication arrows (A) and (B) should be pointing toward each other.
5. Turn brass screw (3) to adjust your reticle position until it matches your point of impact.
6. Reinstall elevation dial (2) by aligning zero mark of dial with zero mark on scope tube.
7. Gently press dial onto splines (4), ensuring dial is fully seated onto splines.
8. Reinstall screw (1) and finger tighten. **Turret will not turn until screw (1) has been installed.**
9. Confirm zero and verify turret function.

### NOTE

The digital display MAY not match the elevation dial at this point. See section *Section 7.1 ETRAK SMART DIAL on page 26* to reset the digital display to zero.



## 7.0 BALLISTIC COMPUTER, DIGITAL DISPLAY, AND MENUS

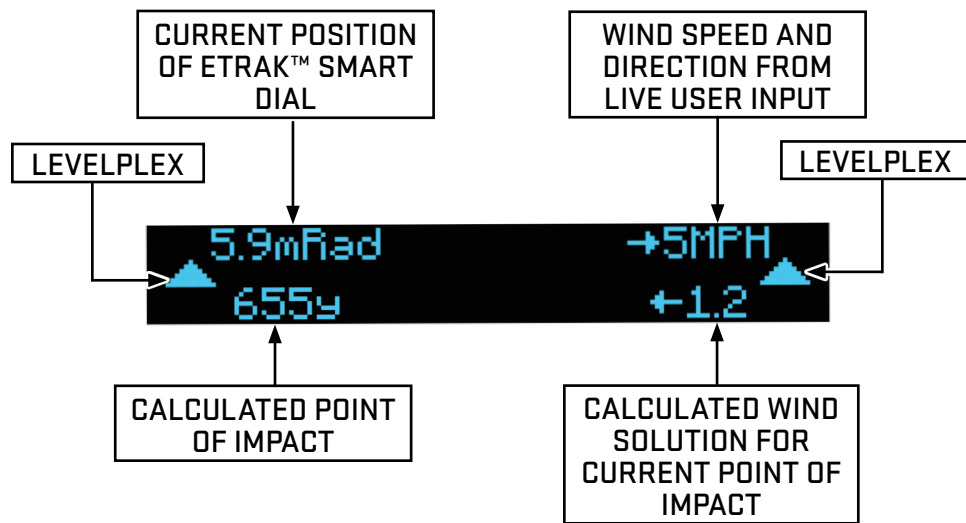
### 7.1 BRAVO6T HEADS UP DISPLAY

When turned on, the Heads Up Display (HUD) will appear at the top of the user's field of view inside the ocular lens. To power on BDX, unlock illumination control dial and move to a numbered position between the off positions. If 0 is selected, HUD will still activate, but the reticle will not be illuminated.

The default display for the BRAVO6T is referred to as Dial to Distance, this mode is available when no BDX rangefinder is paired to the BRAVO and powered up. This concise display provides users with the point of impact distance based on their custom profile, elevation dial position, and real time environmental conditions. As you make adjustments to the elevation dial position, the impact distance will update in real time.

To enter the main menu while the scope is powered on, press and hold both buttons on the eyepiece simultaneously. Use the left button to scroll and the right button to select a menu. To exit any menu, scroll to "back" and select it with the right button. When exiting some menus, you may be prompted to save any changes.

### HEADS UP DISPLAY (HUD)



**ETRAK™ SMART DIAL** — (top left value) is the live position of the ETRAK™ elevation dial in mRad. As the operator makes adjustments to the elevation dial position, the impact distance will update in real time.

- After zeroing the scope to your rifle, be sure that you remove and reset your elevation dial to the zero position prior to resetting the display. See section 6.12 on page 22 for details on resetting the dial to zero.
- **After resetting the elevation dial to zero, the smart dial value must also be reset to zero.** In the menu, select Settings→Features→Zero →Elevation. Both numbers, the elevation dial and HUD the ETRAK elevation smart dial value, should be at zero when completed.

**WIND SPEED AND DIRECTION** — (top right value) shows the wind speed and direction inputted by the user. The speed is modified by pressing either the left or right button. Each button press increases the wind velocity in that direction (left button adds one MPH or M/s of wind speed moving left to right while the right button adds one MPH or M/s of wind speed moving right to left). When decreasing speed, the direction of wind will change if you continue pressing the opposite button after passing 0.

- The unit of measure for wind speed can be modified between MPH and M/s by accessing the menu→settings→display→units→wind.

**CALCULATED POINT OF IMPACT** — (lower left value) data point is the real time calculated point of impact in yards or meters. This calculation is based on your selected custom profile, live environmental data, user input wind speed, and elevation dial position.

- Units of distance can be modified between yards and meters by accessing menu→settings→display→units.

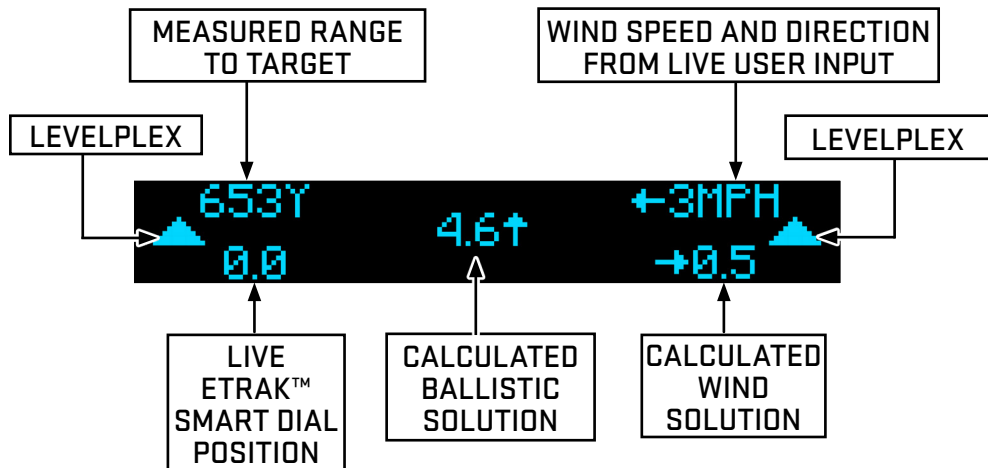
**CALCULATED WIND SOLUTION** — (lower right data point) the calculated windage solution in mRad. The arrow indicates the hold off direction and the value is the hold. This solution also factors in other variables such as spindrift, so even if the wind value is 0, the system may display a horizontal adjustment.

**LEVELPLEX** — (the two triangles on both sides of the HUD) help you eliminate cant when shooting. If displayed, the arrow will indicate the direction you need to cant the rifle to reach a level position.

- See section 7.3 *Main Menu HUD on page 31* to adjust levelplex sensitivity in the menu

## 7.2 BRAVO6T HEADS UP DISPLAY WHEN PAIRED TO A BDX LRF

When actively paired to a SIG BDX Laser Rangefinder (LRF), the BRAVO6T display will change slightly. This mode is referred to as Range to Distance.



**MEASURED RANGE TO TARGET** — (top left value) displays the measured range from your BDX equipped rangefinder.

- Distance units can be changed between yards and meters by accessing the menu→settings→display→units.

**WIND SPEED AND DIRECTION** — (top right value) shows the wind speed and direction inputted by the user. The speed is modified by pressing either the left or right button. Each button press increases the wind velocity in that direction (left button adds one MPH or M/s of wind speed moving left to right while the right button adds one MPH or M/s of wind speed moving right to left). When decreasing speed, the direction of wind will change if you continue pressing the opposite button after passing 0.

- The unit of measure for wind speed can be modified between MPH and M/s by accessing the menu→settings→display→units→wind.

**ETRAK™ SMART DIAL** — (top left value) is the live position of the ETRAK™ elevation dial in mRad. As the operator makes adjustments to the elevation dial position, the impact distance will update in real time.

- After zeroing the scope to your rifle, be sure that you remove and reset your elevation dial to the zero position prior to resetting the display. See section 6.12 on page 22 for details on resetting the dial to zero.
- After resetting the elevation dial to zero, the smart dial value must also be reset to zero.** In the menu, select Settings→Features→Zero →Elevation. Both numbers, the elevation dial and HUD the ETRAK elevation smart dial value, should be at zero when completed.

**CALCULATED WIND SOLUTION** — (lower right data point) the calculated windage solution in mRad. The arrow indicates the hold off direction and the value is the hold. This solution also factors in other variables such as spindrift, so even if the wind value is 0, the system may display a horizontal adjustment.

**CALCULATED BALLISTIC SOLUTION** — (center value) the real time calculated ballistic solution in mRad. This ballistic solution is based on your selected custom profile, live environmental data, user input wind speed and measured range to target.

- Distance units can be modified by accessing the menu→settings→display→units.

**LEVELPLEX** — (the two triangles on both sides of the HUD) help you eliminate cant when shooting. If displayed, the arrow will indicate the direction you need to cant the rifle to reach a level position.

- See section 7.3 *Main Menu HUD* on page 31 to adjust levelplex sensitivity in the menu

### 7.3 MAIN MENU HUD

To enter the main menu while the scope is powered on, press and hold both buttons on the eyepiece simultaneously for at least 3 seconds. Use the left button to scroll down and the right button to select an option. To exit any menu, scroll to “back” and select it with the right button. When exiting some menus, you may be prompted to save any changes.

#### Profiles:

Displays all stored profiles and allows the user to activate a stored profile. Adding, removing and modifying profiles must be done in the BDX app.

#### Settings: Contains display and feature settings.

- Display: allows users to modify the following display aspects:
  - Units: Choose distance units between yards and meters using the right button.
  - Speed: Choose wind speed units between miles per hour (MPH) and meters per second (M/s)
  - Back: select to exit.
- Levelplex: changes levelplex sensitivity between 1, 2, or 3 degrees, or OFF using the right button.
- Wind Mode: allows operators to select between Clock and Full with the right button.

- Clock Menu: allows users to select wind inputs between full values (Left or Right) and clock values (12, 1,2,3... 10, 11). This selection will be visible on the main HUD after exiting the menu.
- Brightness: adjusts the HUD display brightness between 6 levels. 1 is the dimmest level, and 6 is the brightest.
- Reset to Default: reverts all display changes to the factory settings.
- Back: select to exit.

**Features:**

- Zero Elevation: use this to zero the display of the BRAVO6T HUD. After zeroing the scope to your rifle, be sure that you remove and reset your elevation dial to the zero position prior to resetting the display. See section 6.12 on page 22 for details on resetting the dial to zero.
- Bluetooth: Enables and disables Bluetooth.
- Sensors: Allows user to choose between automatic sensor data and manual values. When automatic is selected, onboard sensors environmental conditions are measured live and update ballistic solutions in real time. Manual values are manually updated and must be entered using the BDX App.
- Battery Saver: Activating battery saver disables the blue LED on top of the eyepiece cover to extend battery life. When disabled the blue LED will flash to signal that the system is awake and communicating with a BDX device.

- Motac: Choose between 1, 2, 5, 10 minutes and OFF to select the amount of time before the BRAVO6T puts the display into sleep mode. Press a button or move the elevation dial to wake up the BRAVO6T within one hour. After one hour cycling, the illumination control dial will be required to restart the riflescope.
- Back: select to exit

**Sensors:**

This menu displays live system settings or manually imputed values. These values include device temperature, compass heading, density altitude, and % of relative humidity. Press the left button to exit.

**About:**

This will display the BRAVO6T serial number, software revision and provide contact information for customer service if additional support is required. Scroll down to "BACK" to exit.

## 8.0 INSTALLING AND USING THE BDX APP

To get the most out of the BRAVO6T, download the SIG ballistics app (SIG BDX®) and synchronize a smartphone with the riflescope.

Devices paired with a laser rangefinder can generate and transmit a ballistic profile to a riflescope. Once synced, the system provides precise shooting solutions based on the measured range. When paired with the BRAVO6T, it displays a disturbed aiming point, automatically adjusting for the correct holdover based on the selected cartridge.

## 8.1 BALLISTICS DATA XCHANGE

This section details how to download the BDX app, pair the app with the BRAVO6T, and create a custom bullet profile.

### 1. Turn Bluetooth on

Go to your phone's settings on an Android or iOS device and make sure that Bluetooth is turned on.

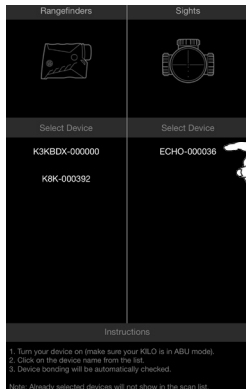
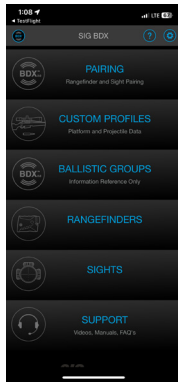
### 2. Download the BDX app from the App Store/Google Play Store

Go to the App Store or the Google Play store and download the SIG SAUER BDX app. Search for the word SIG SAUER or BDX, or use the QR codes below.

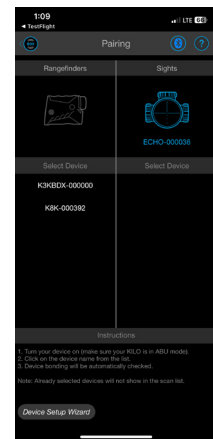
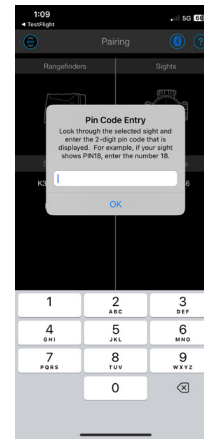
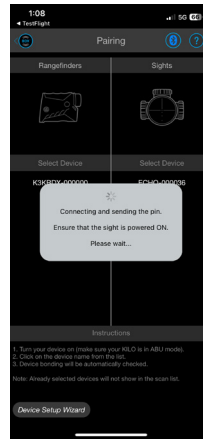


### 3. Pair SIG SAUER BDX App with the ECHO

- On a smartphone, launch the BDX App.
- Click on "PAIRING." Ensure the BRAVO 6T BDX is on. If off, power on by unlocking and rotating the illumination knob to an on position.
- The BRAVO6T should be listed in the "Sights" column. The BRAVO6T serial number will be listed in white letters.
- Select the correct serial number.



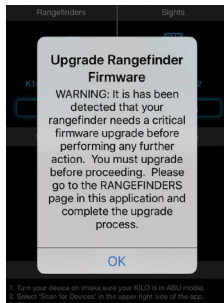
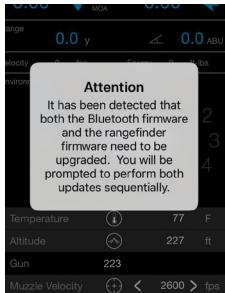
- A prompt to enter a pin number will appear on your app. The corresponding pin number will be displayed on the screen of the BRAVO6T.
- Enter the pin and press "OK" to complete pairing. The BRAVO6T's ID will be shown in blue listed below the "Sights" column. If the incorrect PIN code is entered, the process can be restarted.



## NOTE

Updating the BRAVO6T to the latest software during pairing. Prompts may appear after connecting through the sights or rangefinder page to update the software on the BRAVO6T. These software updates are mandatory and allow SIG SAUER to ensure that the BDX App and BRAVO6T perform optimally.

- Most updates take less than 5 minutes.
- Ensure that the BRAVO6T is turned on and that the smartphone has at least 25% battery life remaining before installing any software updates.
- For best operation, be sure to keep the smartphone awake during the entire installation process.

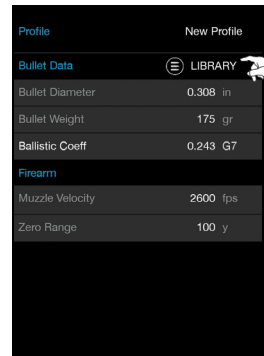
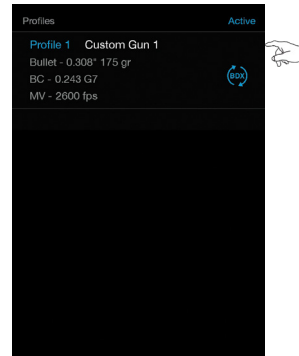
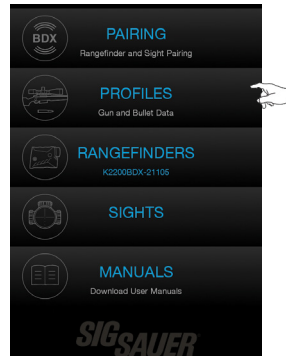


### 4. Configure Bullet Profiles

The BDX app allows operators to create and modify up to 25 profiles. Only one profile can be active at any time. The profile that is active will have a blue BDX icon to the right of the profile. The BDX app comes with one default .308 Winchester profile.

#### To edit an existing profile:

- From the home screen of the app, select "PROFILES."
- Select profile that the operator wishes to edit.
- Select "LIBRARY."



- d. Choose a caliber and bullet manufacturer.
- e. Select the bullet intended for use. Once selected, your bullet data will be populated from the database.
- f. Continue to complete the firearm and scope data sections.
- g. Press “Save” in the top right to save the profile.
- h. From the “Profiles” page, click the BDX profile button to activate this profile. The BDX icon will turn blue to indicate the profile is active.

3 Bullets
0.204
5 Bullets
0.224 (0.22, 0.223, 5.56mm)
84 Bullets
0.243 (6mm)
76 Bullets
0.257 (0.25 cal)
18 Bullets
0.264 (6.5mm)
90 Bullets
0.277 (0.270 cal, 6.8mm)
46 Bullets
0.284 (0.280 cal, 7mm)
87 Bullets



0.224 52gr
Sierra MatchKing
0.224 53gr
Sierra BlitzKing
0.224 55gr
Sierra FMJ
0.224 55gr
Sierra GameKing
0.224 65gr
Sierra MatchKing
0.224 69gr
Sierra Tipped MatchKing
0.224 69gr
Sierra MatchKing
0.224 77gr



ACTIVE PROFILE  
INDICATION  
ICON

#### To rename a profile:

- a. Select profile that the operator wishes to edit.
- b. From the “Profile Editor,” select current name.
- c. Type a new name.

#### To create a new profile:

- a. From the home screen of the app, select “PROFILES.”
- b. Select “New profile” in the upper right corner of the App.
- c. Follow the same sequence of the above steps, “**To edit an existing profile,**” for selection of caliber, manufacturer, and all other information required.
- d. Return to the “Gun Profile” page.
- e. Click on the BDX icon to the right to activate this profile.

Profile	New Profile
Bullet Data	LIBRARY
Bullet Diameter	0.308 in
Bullet Weight	175 gr
Ballistic Coeff	0.243 G7
Firearm	
Muzzle Velocity	2600 fps
Zero Range	100 y



## 9.0 MAINTENANCE

The SIG SAUER BRAVO6T riflescope requires very low maintenance.

### CAUTION

ALWAYS BLOW DUST OR DEBRIS FROM SCOPE LENSES PRIOR TO USING ANY CLOTH OR LENS PEN. FAILURE TO DO THIS MAY RESULT IN SCRATCHING OF THE SCOPES LENSES.

- If your riflescope came with an illuminated reticle, make sure that you turn the illumination control to one of the off positions when it is not in use.
- Keep your lenses clear by using a soft cloth or lens pen. The best way to maintain image quality is by keeping your lenses clear of dirt and dust that cause scratches.

## 10.0 TROUBLESHOOTING

### POI CHANGES BETWEEN GROUPS

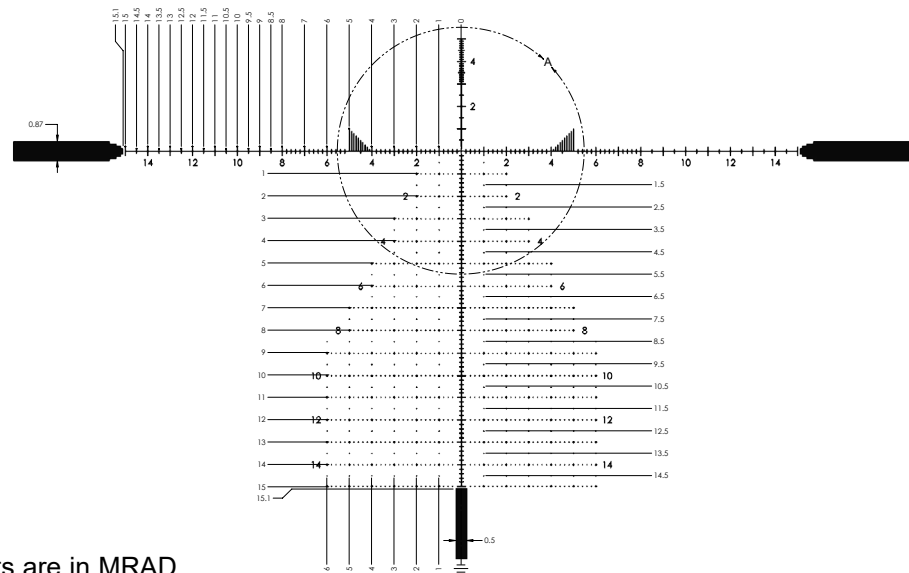
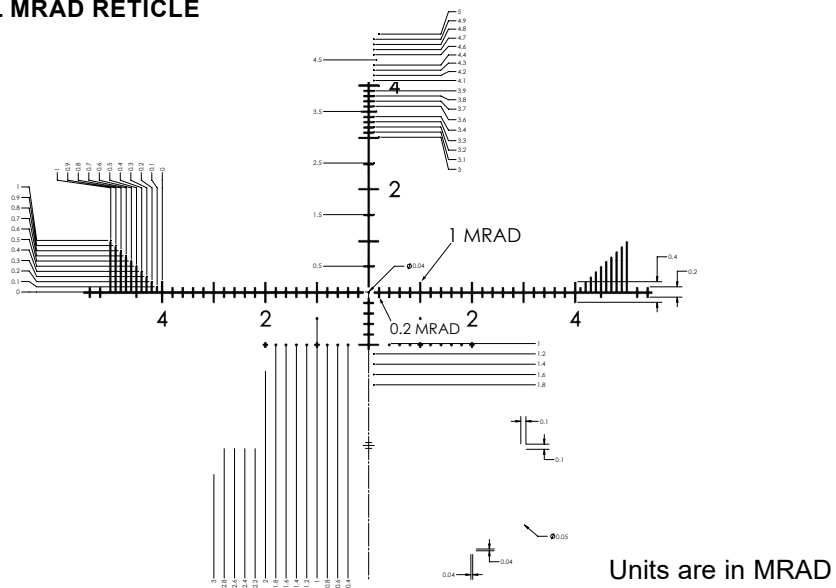
- Check that all of your mounts are tightened to the correct torque specification.
- Inspect and clean your rifle.
- Check for variations in ammunition.

### RETICLE FAILS TO ILLUMINATE

- Check that the battery is the proper battery (1/3N). There are other coin type batteries that are similar in appearance and size.
- Ensure that the battery is installed correctly with positive side (+) facing outward and rotate the battery port cap in a clockwise (CW) direction to 10 in-lbf. The 1/3N battery may have orientation different from batteries user is experienced with.
- Replace dead battery.
- Ensure that the illumination power selector ring is on one of the ON positions.



## 11.2 DEV-L MRAD RETICLE



**SIG SAUER® INFINITE GUARANTEE®**

SIG SAUER® has a history of quality and reliability that dates back more than 250 years. We understand the importance of true dependability whether it be in the line of duty, at the shooting range or on your next hunt and we continually strive to deliver products that meet and exceed the expectations of even the most demanding customers. That's why SIG SAUER is proud to offer our INFINITE GUARANTEE\* on all our firearms, optics, and suppressors.

Our promise: We warrant that your new SIG SAUER firearm, optic, or suppressor was originally manufactured free of defects in material, workmanship, electrical, optical, and mechanical function. We will repair your SIG SAUER product in the event it becomes damaged or is defective in any way, at no charge to you. If we cannot repair your product, we will replace it or, if we cannot replace it, we will provide you with a replacement of equal value. All with no questions asked, forever.

**SIG SAUER® Infinite Guarantee®**

- Fully Transferable
- No Warranty Card Required
- No Receipt Required
- No Time Limit Applies
- No Charge

Please note that our Infinite Guarantee excludes coverage for intentional damage, misuse, cosmetic damage that does not affect the performance of the optic, loss, theft, or unauthorized repair or modification. Excludes Tritium components.

Customers seeking warranty coverage must first obtain a Return Merchandise Authorization (RMA) by contacting SIG SAUER Customer Service and return the product unloaded and freight prepaid.

ANY WARRANTIES IMPLIED BY LAW, INCLUDING ANY IMPLIED WARRANTIES OF MERCHANTABILITY OR FITNESS FOR A PARTICULAR PURPOSE, ARE EXPRESSLY LIMITED IN DURATION TO THE DURATION OF THIS WRITTEN WARRANTY PERIOD. REPAIR, ALTERATION, OR REPLACEMENT AS PROVIDED HEREIN IS YOUR EXCLUSIVE REMEDY FOR ANY DEFECTIVE PRODUCT. IN NO EVENT SHALL SIG SAUER OR ANY COMPANY AFFILIATED WITH SIG SAUER BE LIABLE FOR ANY SPECIAL, INCIDENTAL, OR CONSEQUENTIAL DAMAGES OF ANY KIND ARISING OUT OF THE PURCHASE OR USE OF THIS PRODUCT, WHETHER BASED UPON CONTRACT, TORT, STATUTE, OR OTHERWISE. Some states do not allow the limitation of implied warranties, or the exclusion or limitation of incidental or consequential damages, so some or all of the above limitations or exclusions may not apply to you. This warranty gives you specific legal rights, and you may also have other rights which vary from State to State.

This warranty applies to commercial customers only and does not apply to government, non-commercial, or non-US customers. Non-US COMMERCIAL CUSTOMERS MUST PURCHASE PRODUCT THROUGH AN AUTHORIZED SIG SAUER DEALER WITHIN THEIR COUNTRY OF RESIDENCE FOR THIS WARRANTY TO APPLY.

**REPRODUCIBLE RANGE CARDS**

RANGE	ELEVATION [MIL]	WINDAGE [MIL]
100		
200		
300		
400		
500		
600		
700		
800		
900		
1000		

RANGE	ELEVATION [MIL]	WINDAGE [MIL]
100		
200		
300		
400		
500		
600		
700		
800		
900		
1000		

**REPRODUCIBLE RANGE CARDS**

RANGE	ELEVATION [MIL]	WINDAGE [MIL]
100		
200		
300		
400		
500		
600		
700		
800		
900		
1000		

RANGE	ELEVATION [MIL]	WINDAGE [MIL]
100		
200		
300		
400		
500		
600		
700		
800		
900		
1000		



SIG SAUER ELECTRO-OPTICS  
12100 SW Tualatin Rd, Tualatin, OR 97062

All trademarks, service marks, trade names, trade dress, product names and logos appearing in this manual are the property of their respective owners. No trademark or service mark appearing in this manual may be used without written consent of the mark's owner.